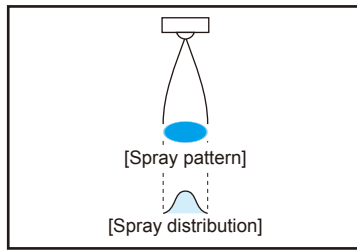


Clog-resistant Fine Fog Nozzles with Spray Control Adaptor

SETO-SP



- Full cone spray pneumatic nozzle producing fine atomization with a mean droplet diameter of 50 μm or less.*1
- Clog-resistant design. Optimal for spraying viscous liquids.
- External mixing type (designed to mix air and liquid outside the nozzle for atomization).
- Built-in piston activated by pilot air prevents liquid dripping from the nozzle and provides fast response to spray ON/OFF control.
- Compact, 46 mm-long design to fit in tight spaces.
- Capable of controlled intermittent liquid dispensing by using as a hydraulic spray nozzle without atomizing air supply.

*1) Droplet diameter measured by laser Doppler method

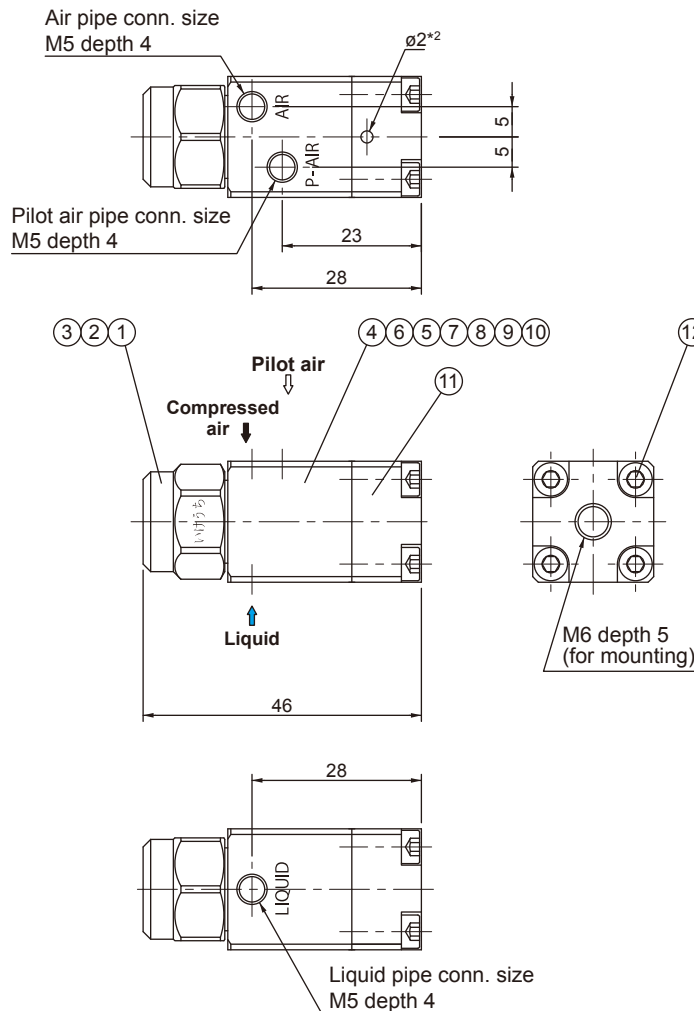
APPLICATIONS

- Spraying: Oil, lubricant, mold release agent, honey, aqueous urea, rust preventive, glaze, viscous liquid, slurry

DRAWING

■ Weight: 110 g

*2) Hole ø2 is for air relief.



Download 3D CAD model (SETO-SP)



COMPONENTS AND MATERIALS

No.	Components	Standard materials
1	Nozzle tip	S303
2	Nozzle body	S303
3	Cap	S303
4	Adaptor	S303
5	O-ring	NBR
6	O-ring	NBR

No.	Components	Standard materials
7	O-ring	FKM
8	Piston	S303
9	Y-packing	NBR
10	Spring	S304
11	Spring cap	S303
12	Hex socket screw (M3 × 14 mm)	S304 equivalent

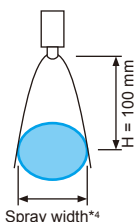
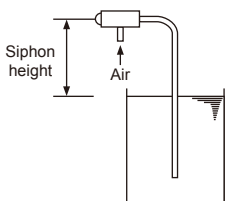
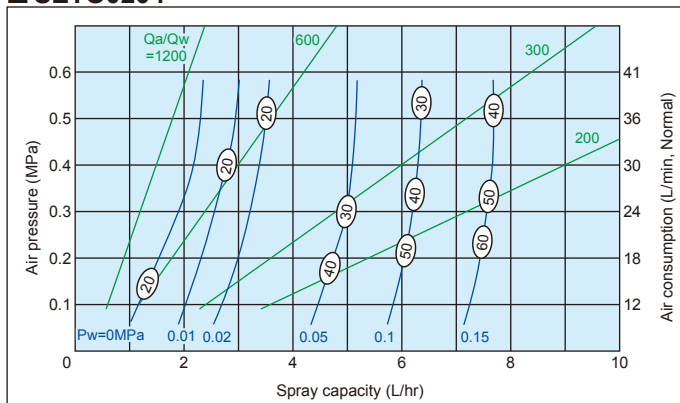
Unit: mm

FLOW-RATE DIAGRAMS

■ How to read the chart

1. The spray capacity shown is for one nozzle.
2. **Blue lines** (—) represent liquid pressures P_w in MPa.
Green lines (—) represent air-water ratio Q_a/Q_w .
3. Measured at 100 mm liquid siphon height with P_w at 0 MPa.
4. Numbers in ovals \bigcirc indicate Sauter mean diameters (μm) measured by laser Doppler method (measured at 300 mm from the nozzle).

■ SETO0204



PERFORMANCE DATA

Air consumption code	Spray capacity code	Air pressure (MPa)	Air consumption (L/min, Normal)	Spray capacity (L/hr)		Spray width*4 (mm)	Mean droplet diameter*4 (μm)	Free passage diameter (mm)	
				Liquid pressure (MPa)				Liquid	Air
				0 (Siphon)*3	0.05				
02	04	0.2	18	1.5	4.7	40–50	10–50	0.4	0.1
		0.3	24	1.9	5.0				
		0.4	30	2.2	5.1				

*3) Siphon height: 100 mm.

*4) Measured at compressed air pressure of 0.3 MPa and liquid pressure of 0 MPa (siphon height of 100 mm).

HOW TO ORDER

Please inquire about or order using this product code.

SETO 02 04 S303 + CSP S303

Air consumption code & Spray capacity code

Material of nozzle tip

Type of adaptor

Material of adaptor