

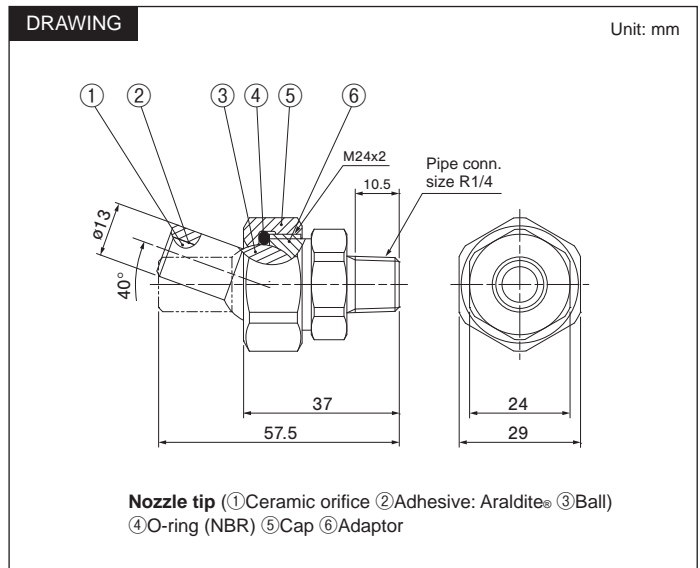
- High impact force solid stream flow.
- Internal design keeps flow resistance to a minimum, generating a large flow volume.
- Spray direction is adjustable over a range of 40 degrees as desired.

**[STANDARD PRESSURE]**  
0.3 MPa

**[APPLICATIONS]**  
 Cleaning: High pressure cleaning, wire and felt parts of paper making machines, vehicles, returnable containers, machinery, parts  
 Trimming: Paper making

Structure	<ul style="list-style-type: none"> <li>• Has a ceramic orifice (high-purity ceramic orifice for spray capacity codes 37–136) in the nozzle tip.</li> <li>• Includes three parts: Nozzle tip, cap, and adaptor.</li> <li>• Worn-out nozzle tips can be replaced separately.</li> <li>• Nozzle tip has an integrated universal ball joint to adjust the spray direction.</li> </ul>
Material	<ul style="list-style-type: none"> <li>• Nozzle orifice: ceramic</li> <li>• Metal parts: S303</li> </ul>
Weight	<ul style="list-style-type: none"> <li>• 125 g</li> </ul>

[Note] Appearance and dimensions may differ slightly depending on material and nozzle code.



Spray capacity code	Spray capacity (L/min)								Free passage diameter (mm)
	0.1 MPa	0.15 MPa	0.2 MPa	0.3 MPa	0.5 MPa	0.7 MPa	1 MPa	2 MPa	
37	0.68	0.83	0.96	1.17	1.51	1.79	2.14	3.03	1.0
49	0.90	1.10	1.28	1.56	2.02	2.39	2.86	4.04	1.2
80	1.47	1.80	2.08	2.54	3.28	3.88	4.65	6.56	1.5
111	2.03	2.48	2.87	3.51	4.53	5.36	6.43	9.09	1.8
136	2.48	3.04	3.51	4.30	5.55	6.57	7.85	11.1	2.0
247	4.51	5.52	6.38	7.81	10.1	11.9	14.3	20.2	2.6
322	5.88	7.20	8.31	10.2	13.1	15.6	18.6	26.3	3.0
445	8.12	9.95	11.5	14.1	18.2	21.5	25.7	36.3	3.5

[Note] Precision guarantee for the UT+CP series is only for spray angle; the axis of spray direction to be within 3° from nozzle centerline.

**HOW TO ORDER** To inquire about or order a specific nozzle please refer to this coding system.

Example: 1/4M UT+CP 37 AL99-S303

1/4M UT+CP **37** AL99-S303

Pipe conn. size\*1: 1/4M  
 Spray capacity code: 37  
 Material: S303 / AL99-S303\*2

Please contact us to order only the nozzle tip.  
 \*1) "M" indicates male thread ("R" of the ISO standard), e.g. 1/4M = R1/4.  
 \*2) When spray capacity code is 37–136, material code is described as "AL99-S303".

**ALSO AVAILABLE!**

Universal-jointed  
**Flat Spray** Nozzles

**UT+VP**  
 SERIES

See p.47 of this catalog.