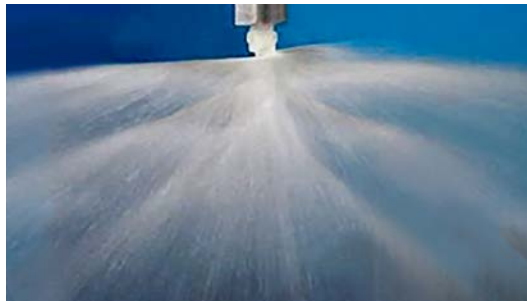


**Wide Spray
Coverage**
at low water pressure

Clog-resistant Wide-angle Full Cone Spray Nozzles

UZUJP series



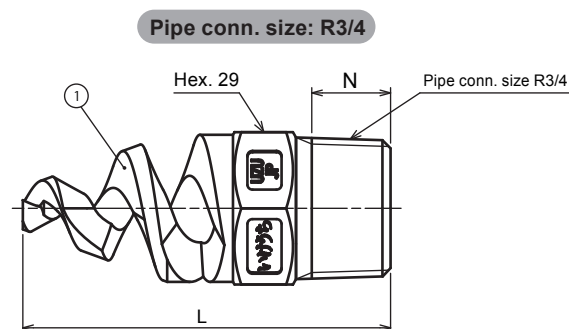
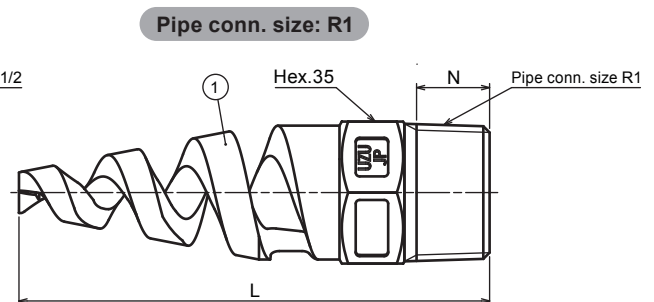
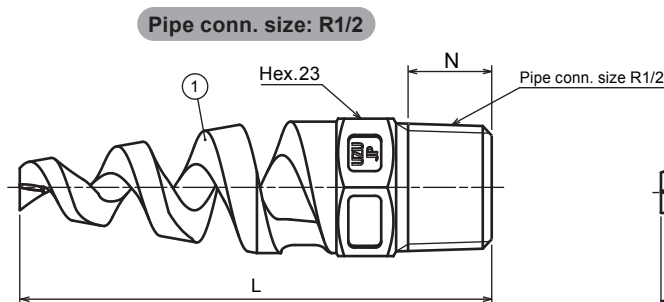
Features

- Spray covers a large area even at a low water pressure.
- Required nozzle quantity is minimized, and system installation cost is lowered.
- No-whirler design produces a large spray capacity for a compact size and minimizes clogging.

Applications

- Fire extinguishing, spraying (Coal tower at steel mills, conveyor belt, and more)
- Exhaust gas cleaning and cooling
- Dust suppression
- Applications where clogging is a concern

Dimensions and weight



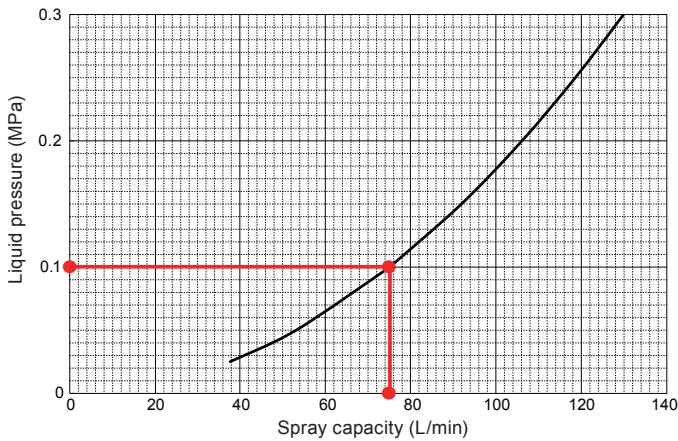
Pipe conn. sizes	Spray angle code	Spray capacity code	Dimensions (mm)		Approx. weight (g)
			N	L	
R1/2	120	75	14	63.5	75
	170	75 100	14	79	80
R3/4	120	100	15	70	140
R1	170	200	18	116	250

① Nozzle (Material: SCS16*)

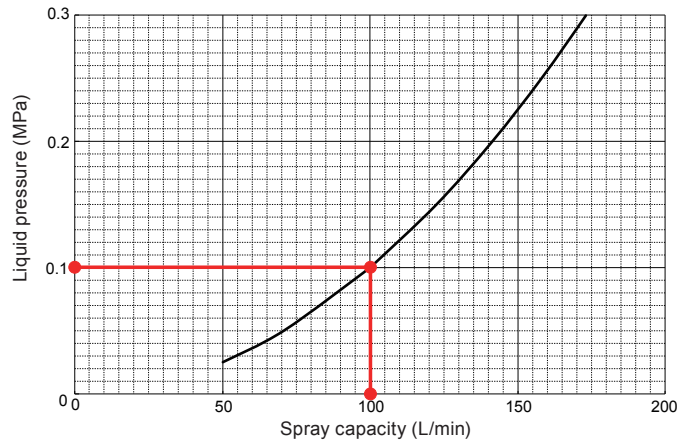
*Cast stainless steel equivalent to S316L.
Note: Optional cap can be added upon request.

Flow-rate diagrams

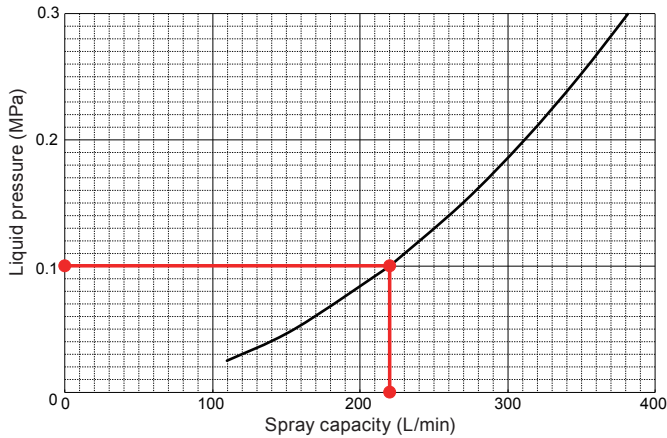
■ UZUJP12075/17075



■ UZUJP120100/170100



■ UZUJP170220



Specifications

Spray angle code	Spray capacity code	Pipe conn. size	Spray angle (°)				Spray capacity (L/min)					Free passage diameter (mm)
			0.03 MPa	0.05 MPa	0.1 MPa	0.3 MPa	0.03 MPa	0.05 MPa	0.1 MPa	0.2 MPa	0.3 MPa	
120	75	R1/2	109	120	120	120	41.1	53.0	75.0	106	130	4.3
	100	R3/4	109	117	120	120	54.8	70.7	100	141	173	5.1
170	75	R1/2	159	167	170	170	41.1	53.0	75.0	106	130	5.0
	100	R1/2	159	167	170	170	54.8	70.7	100	141	173	5.2
	220	R1	159	167	170	170	120	156	220	311	381	7.3

How to order To inquire about or order a specific nozzle please refer to this coding system.

(Example) 1/2M UZUJP 17075 SCS16

1/2M

UZUJP

170

75

SCS16

Pipe conn. size**

- 1/2M
- 3/4M
- 1M

Spray angle code

- 120
- 170

Spray capacity code

- 75
- 100
- 220

Material

**"M" indicates male thread ("R" of the ISO standard), e.g. 1/2M = R1/2.

Specifications, contents, and appearance of this product and leaflet are subject to change without prior notice for purpose of product improvement.

Please feel free to send any inquiry, request for information or quote on this product to the contacts below.

Headquarters



"The Fog Engineers"
H. IKEUCHI & CO., LTD.

Daiichi Kyogyo Bldg., 1-15-15, Awaza, Nishi-ku, Osaka 550-0011, Japan

Tel: 81-6-6538-4015 Fax: 81-6-6538-4022

E-mail: overseas@kirinoikeuchi.co.jp

URL: <https://www.kirinoikeuchi.co.jp/eng/>

We have our branches and affiliate companies around the world—in China, USA, The Netherlands, Thailand, Indonesia, and more.

Please see our website for the nearest contact.

<https://www.kirinoikeuchi.co.jp/eng/company/location/>