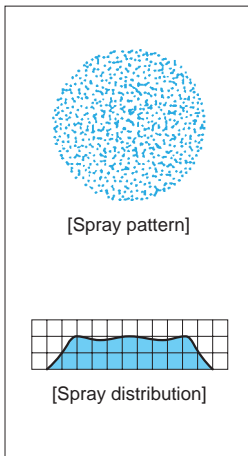


# Flange-connection, Large Capacity Full Cone Spray Nozzles

Made-to-Order

TJJX

Full Cone



- Full cone spray pattern with a round impact area and uniform distribution.
- Flange connection.
- X-shaped whirler provides a large free passage diameter, minimizing clogging.

**[STANDARD PRESSURE]**

0.2 MPa

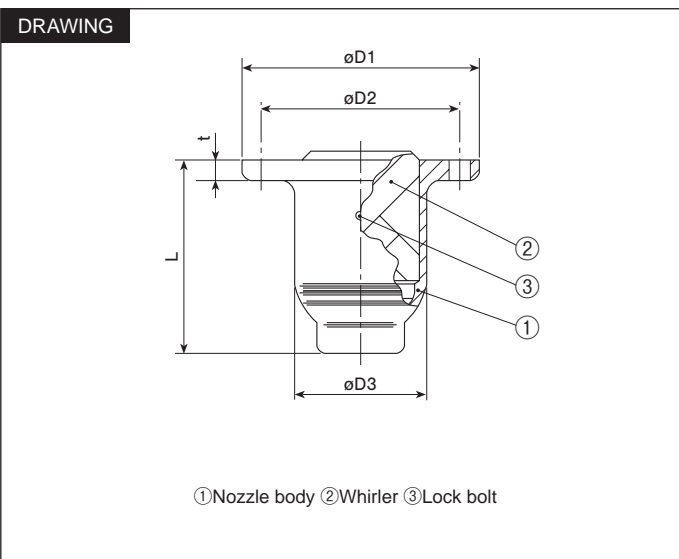
**[APPLICATIONS]**

- Cooling: Gas, liquids  
 Reacting: Chemical plants  
 Spraying: Aeration, sea water desalination equipment

<b>Structure</b>	<ul style="list-style-type: none"> <li>• Includes a nozzle body, X-shaped whirler, and lock bolt for securing the whirler to the nozzle body. The whirler is removable.</li> <li>• Flanged connection.</li> </ul>
<b>Material</b>	<ul style="list-style-type: none"> <li>• Nozzle body: S304, S316, SCS13, or SCS14</li> <li>• Whirler: SCS13 or SCS14</li> <li>• Lock bolt: S316</li> </ul> <p>SPECIAL ORDER MATERIAL: S316L, SCS16</p>

Flange size (inch)	Dimensions (mm)					Flange bolt holes (JIS 10K)		Weight (kg)
	L	øD1	øD2	øD3	t	Number of holes	Diameter (mm)	
4	171	210	175	117	18	8	19	9.3
5	211	250	210	143	20	8	23	11.4
6	253	280	240	169	22	8	23	22.7

[Note] Appearance and dimensions may differ slightly depending on material and nozzle code.



Spray capacity code	Flange connection size (inch)			Spray angle (°)			Spray capacity (L/min)							Mean droplet diameter (µm)	Free passage diameter (mm)
	4	5	6	0.05 MPa	0.2 MPa	0.5 MPa	0.03 MPa	0.05 MPa	0.1 MPa	0.15 MPa	0.2 MPa	0.3 MPa	0.5 MPa		
1500	○			90	90	75	628	794	1,091	1,315	1,500	1,770	2,180	1,850	28
2000	○			100	100	85	838	1,059	1,455	1,753	2,000	2,360	2,907		
2500		○		90	90	75	1,047	1,324	1,819	2,191	2,500	2,950	3,634	2,500	36
3000		○		100	100	85	1,257	1,588	2,183	2,629	3,000	3,540	4,361		
3500			○	90	90	75	1,466	1,853	2,547	3,067	3,500	4,130	5,087	2,650	43
4000			○	95	95	80	1,675	2,118	2,911	3,505	4,000	4,720	5,814		

[Note] Please contact IKEUCHI for TJJX series nozzles with larger flow rate and/or larger flange size.

**HOW TO ORDER**

To inquire about or order a specific nozzle please refer to this coding system.


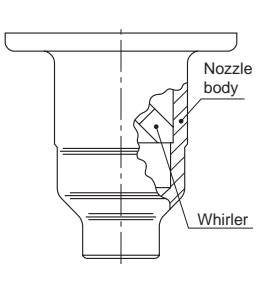
Example: 4 TJJX 1500 S304

<b>4</b>	<b>TJJX</b>	<b>1500</b>	<b>S304</b>
Flange conn. size		Spray capacity code	Material
■ 4		■ 1500	■ S304
∩		∩	■ S316
■ 6		■ 4000	■ SCS13
			■ SCS14

This nozzle series is made-to-order.

TJJX-SiC SERIES **Made-to-Order**

For spraying slurry, wear resistance of nozzles must be considered. TJJX-SiC series nozzles made of highly wear-resistant SiC (silicon nitride bonded silicon carbide) are available for such applications. Please contact us for details.

Series	Picture	Structure	Features	Applications
TJJX-SiC			<ul style="list-style-type: none"> <li>• Full cone spray pattern with a round impact area and uniform distribution.</li> <li>• X-shaped whirler provides a large free passage diameter, minimizing clogging.</li> <li>• Whole nozzle is fired as one piece.</li> <li>• Highly wear-resistant and lightweight structure made of SiC.</li> </ul> <p>[Note] Since TJJX-SiC series nozzles are cast molded, the spray capacity is guaranteed within +/-10% and the spray angle within +/-7° under standard pressure.</p>	<ul style="list-style-type: none"> <li>• Spraying recirculated water for water granulation</li> <li>• Other applications: spraying slurry</li> </ul>