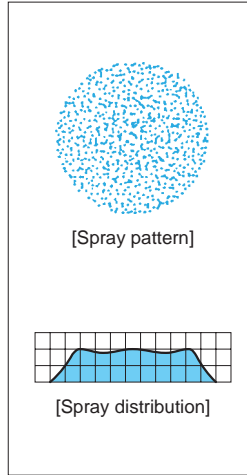


Quick-detachable Standard Flat Spray Nozzles

Stainless Steel

INJJX-SS

Full Cone



- Full cone spray pattern with a round impact area and uniform distribution.
- The unique design accommodates easy installation and removal.
- Quick-detachable design helps to significantly reduce maintenance time.
- X-shaped whirler provides a large free passage diameter, minimizing clogging.

[STANDARD PRESSURE]

0.2 MPa

[APPLICATIONS]

Cleaning: Machinery, eliminators, screens, tanks, parts, crushed stone, earth and sand, steel plates and pieces

Cooling: Tanks, roofs

Spraying: Waste water treatment, aeration, foam breaking, dust suppression

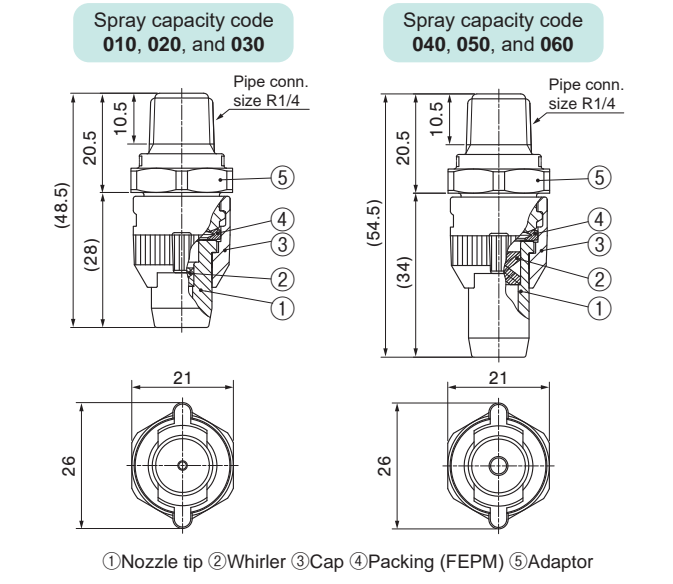
Structure	<ul style="list-style-type: none"> • Includes a nozzle section (nozzle tip + whirler + cap + packing) and an adaptor. • Worn-out nozzle tips and other parts are available separately for replacement. • Easy installation and removal of the nozzle section with a twist of about 90°. • Tip or packing will not fall out when the nozzle section is removed.
Material	<ul style="list-style-type: none"> • Nozzle orifice: S303 • Whirler, cap and adaptor: S316L equivalent • Packing: FEPM
Weight	<ul style="list-style-type: none"> • Complete assembly: 62 g • Nozzle tip: 18 g

Max. temperature: 150°C

Max. operating pressure: 2.0 MPa

DRAWING

Unit: mm



[Note] Appearance and dimensions may differ slightly depending on material and nozzle code.

Spray capacity code	Spray angle (°)			Spray capacity (L/min)									Mean droplet diameter (µm)	Free passage diameter (mm)
	0.05 MPa	0.2 MPa	0.5 MPa	0.03 MPa	0.05 MPa	0.1 MPa	0.15 MPa	0.2 MPa	0.3 MPa	0.5 MPa	0.7 MPa	1 MPa		
010	50	55	45	—	0.53	0.73	0.88	1.00	1.18	1.45	1.67	1.93	290	0.7
020	60	65	55	—	1.06	1.46	1.75	2.00	2.36	2.91	3.34	3.86	?	1.4
030	65	70	60	—	1.59	2.18	2.63	3.00	3.54	4.36	5.00	5.79	410	1.4
040	60	65	55	—	2.12	2.91	3.51	4.00	4.72	5.81	6.67	7.72	380	1.7
050	65	70	60	—	2.65	3.64	4.38	5.00	5.90	7.27	8.34	9.64	?	1.7
060	70	75	65	2.51	3.18	4.37	5.26	6.00	7.08	8.72	10.0	11.6	520	1.7

HOW TO ORDER

To inquire about or order a specific nozzle please refer to this coding system.

① Complete Assembly

Example: 1/4M INJJX 010 S303 (FEPM) + S316L-IN

1/4M INJJX **010** S303 (FEPM) + S316L-IN

Pipe conn. size*	Spray capacity code	Nozzle tip material	Packing material	Material of cap & adaptor
	010 ∩ 060			

② Nozzle Tip Only

Example: 1/4 JJX 010 S303

1/4 JJX **010** S303

Spray capacity code	Material
010 ∩ 060	

③ Adaptor (R1/4), cap, and packing are available separately for purchase.

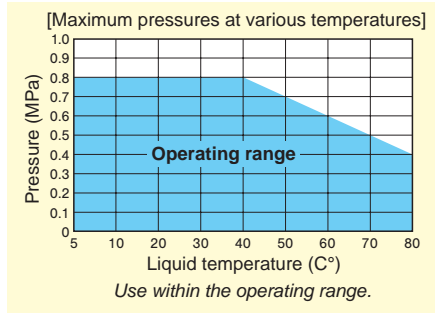
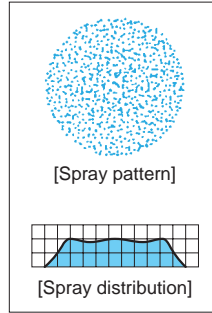
**M" indicates male thread ("R" of the ISO standard), e.g. 1/4M = R1/4.

Quick-detachable Standard Full Cone Spray Nozzles

Plastic

INJJX

Full Cone



- Full cone spray nozzle with a removable whirler.
- Made of highly chemical and heat resistant PP (polypropylene).
- Quick-detachable design helps to significantly reduce maintenance time.
- Nozzle tips are color-coded by spray capacity for easy identification.

[STANDARD PRESSURE]

0.2 MPa

[APPLICATIONS]

- Cleaning • Etching • Stripping
- Chemical treatment
- For periodic maintenance or for applications where precise spray alignment is required

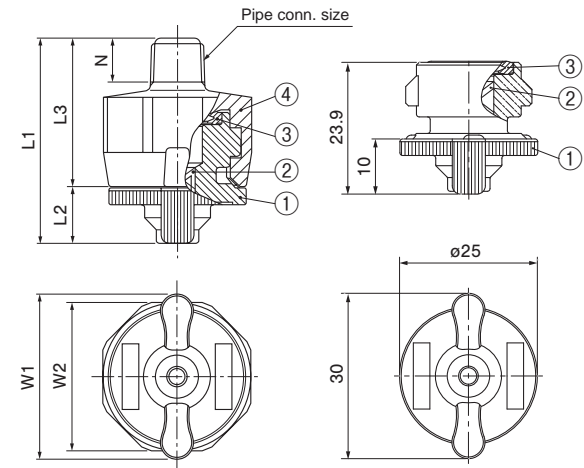
Structure	<ul style="list-style-type: none"> • Two-piece structure including a nozzle tip, with whirler and packing, and an adaptor. • Easy installation and removal of the nozzle tip with a twist of about 60°.
Material	<ul style="list-style-type: none"> • Nozzle tip and whirler: PP • Adaptor: PP or PPS • Packing: FEPM

Pipe conn. size	Dimensions (mm)						Weight (g)	
	L1	L2	L3	W1	W2	N	PP	PPS
R1/8	37	10	27	30	27	8	9.2	12
R1/4	40	10	30	30	27	11.5	9.6	13
R3/8	40	10	30	30	27	12	10.5	14

- [Note]
- **INJJX series nozzles are not compatible with the discontinued ISJJX series.**
 - Appearance and dimensions may differ slightly depending on material and nozzle code.

DRAWING

Unit: mm



[Nozzle tip] (① + ② + ③)
① Nozzle tip ② Whirler ③ Packing (FEPM) ④ Adaptor

Spray capacity code	Pipe conn. size			Spray angle (°)			Spray capacity (L/min)								Mean drop. dia. (µm)	Free pass. dia. (mm)	Nozzle tip color
	R1/8	R1/4	R3/8	0.05 MPa	0.2 MPa	0.5 MPa	0.03 MPa	0.05 MPa	0.1 MPa	0.15 MPa	0.2 MPa	0.3 MPa	0.5 MPa	0.7 MPa			
010	○	○	○	60	65	55	—	0.53	0.73	0.88	1.00	1.18	1.48	1.67	}	0.8	Green
015	○	○	○	60	65	55	—	0.79	1.09	1.32	1.50	1.77	2.18	2.50		1.0	Yellow
020	○	○	○	60	65	55	—	1.06	1.46	1.75	2.00	2.36	2.91	3.34		1.5	Grey
025	○	○	○	60	65	55	—	1.32	1.82	2.20	2.50	2.95	3.62	4.17		1.5	Orange
030	○	○	○	60	65	55	—	1.59	2.18	2.63	3.00	3.54	4.36	5.00		1.5	Blue
040	○	○	○	60	65	55	—	2.12	2.91	3.51	4.00	4.72	5.81	6.67		2.0	Purple
050	○	○	○	65	70	60	—	2.65	3.64	4.38	5.00	5.90	7.27	8.34	2.0	Light Green	
060	○	○	○	70	75	65	2.51	3.18	4.37	5.26	6.00	7.08	8.72	10.0	2.0	Pink	

HOW TO ORDER

To inquire about or order a specific nozzle please refer to this coding system.

① Complete Assembly

Example: 1/8M INJJX 040 PP (FEPM) + PP

1/8M INJJX 040 PP (FEPM) + PP

Pipe conn. size* Spray capacity code Nozzle tip material (packing: FEPM) Adaptor material

1/8M 010 PP PP
 1/4M } PPS
 3/8M 060

② Nozzle Tip Only (including packing and whirler)

Example: INJJX 040 PP (FEPM)

INJJX 040 PP (FEPM)

Spray capacity code Nozzle tip material (packing: FEPM)

010 PP
 060

③ Adaptor is available for purchase separately.

④ You can change a nozzle tip to a plug tip if needed. See page 22 for Quick-detachable IN PLUG series.

**M" indicates male thread ("R" of the ISO standard), e.g. 1/8M = R1/8.

ALSO AVAILABLE!

Quick-detachable Standard Flat Spray Nozzles
INVV SERIES
See page 21 of this catalog.

Stainless steel quick-detachable
INJJX-SS SERIES
See page 63 of this catalog.