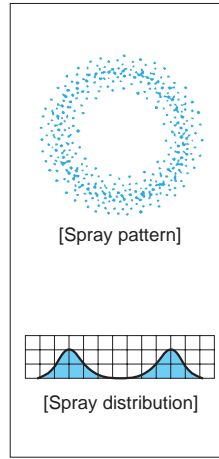


Semi-fine Atomization and Low Flow Rate Hollow Cone Spray Nozzles

KKBP

Hollow Cone



- Low flow rate hollow cone spray nozzle.
- Unique whirler design with large free passage diameter minimizes clogging.
- Semi-fine atomization.
- Compact, lightweight design with a small number of parts.
- Maintenance is easy as whirler is detachable.

[STANDARD PRESSURE]
0.3 MPa

[APPLICATIONS]

- Humidifying: Air handling units
- Cooling: Gas, metals
- Spraying: Chemicals
- Snow making (for snow machines)

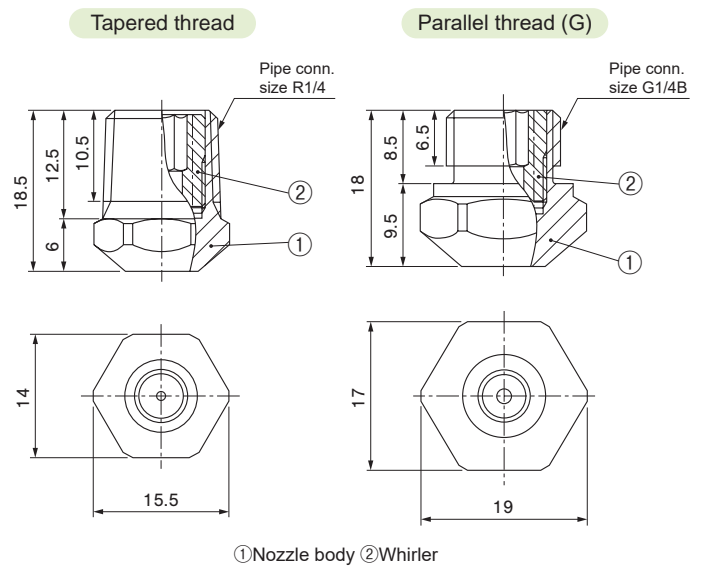
Structure	<ul style="list-style-type: none"> • Includes a nozzle body and whirler. • Available with male tapered pipe thread (R1/4) or male parallel pipe thread (G1/4B).
Material	<ul style="list-style-type: none"> • Nozzle body: S303 • Whirler: S316L equivalent <p>SPECIAL ORDER MATERIAL: S316 or S316L</p>
Weight	<ul style="list-style-type: none"> • Tapered pipe thread version: 15 g • Parallel pipe thread version: 20 g

[Note]

1. Appearance and dimensions may differ slightly depending on material and nozzle code.
2. If the parallel thread version is used, an O-ring is required for connecting to a pipe. If used at high pressure, an adaptor is also required. Both are available as option.

DRAWING

Unit: mm



Spray capacity code	Spray angle (°)			Spray capacity (L/min)								Mean droplet diameter (µm)	Free passage diameter (mm)
	0.2 MPa	0.3 MPa	1.0 MPa	0.2 MPa	0.3 MPa	0.5 MPa	1 MPa	1.5 MPa	2 MPa	3 MPa	5 MPa		
050	63	65	68	0.41	0.50	0.64	0.89	1.08	1.24	1.51	1.93	160	1.0
060	65	68	70	0.49	0.60	0.77	1.07	1.30	1.49	1.82	2.32	160	1.0
070	60	63	65	0.58	0.70	0.89	1.25	1.52	1.74	2.12	2.71	250	1.2
080	63	65	68	0.66	0.80	1.02	1.43	1.73	1.99	2.42	3.09	250	1.2
100	55	58	60	0.82	1.00	1.28	1.78	2.17	2.49	3.03	3.87	260	1.4
120	58	60	63	0.99	1.20	1.53	2.14	2.60	2.99	3.63	4.64	260	1.4
140	55	58	60	1.15	1.40	1.79	2.50	3.04	3.49	4.24	5.41	360	1.6
160	55	58	60	1.32	1.60	2.05	2.85	3.47	3.98	4.84	6.19	360	1.6
180	50	53	55	1.48	1.80	2.30	3.21	3.90	4.48	5.45	6.96	360	1.8
200	53	55	58	1.65	2.00	2.56	3.57	4.34	4.98	6.05	7.73	360	1.8

HOW TO ORDER

To inquire about or order a specific nozzle please refer to this coding system.

Example: 1/4M KKBP 050 S303

1/4M	KKBP	050	S303
Pipe conn. size*		Spray capacity code	Material
■ 1/4M		■ 050	
■ 1/4M (G)		∩	
		■ 200	

*In case parallel thread is required, please specify the pipe connection size as 1/4M (G). "M" indicates male thread ("R" of the ISO standard), e.g. 1/4M = R1/4 (BSPT 1/4 male).