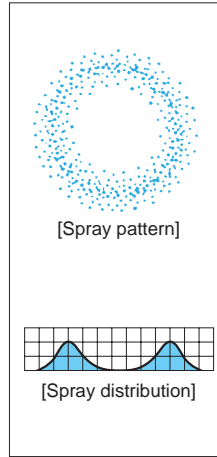


Extremely Fine Fog and Ultra-low Flow Rate Hollow Cone Spray Nozzles

KBN

Hollow Cone



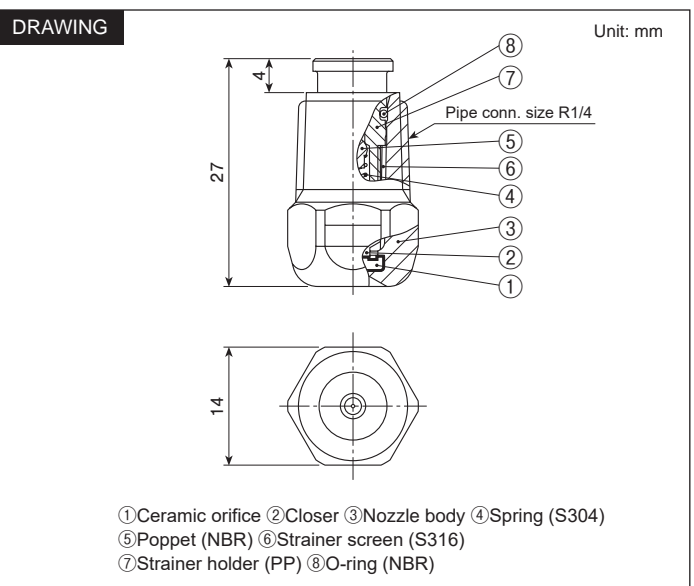
- Ultra-low flow rate hollow cone spray nozzle with the finest atomization among hydraulic nozzles.
- Minimal clogging with free passage diameter 1.3–2.6 times bigger than that of conventional nozzles.
- High-purity alumina ceramic tip provides stable performance with longer life even under high pressure conditions.

[STANDARD PRESSURE]
1.0 MPa

[APPLICATIONS]
Cooling: Poultry farms, outside cooling
Humidifying: Air handling units, greenhouses
Spraying: Alcohol, disinfectant
Others: Dust suppression, irrigation for greenhouse

| | |
|-----------|--|
| Structure | <ul style="list-style-type: none"> • One-piece plastic nozzle molded around a high-purity ceramic orifice. • Thread is R1/4 (BSPT 1/4 male) or NPT 1/4 male. • All models includes a built-in strainer and check valve. |
| Material | <ul style="list-style-type: none"> • Nozzle orifice: ceramic • Closer: polyester elastomer • Nozzle body: PA |
| Weight | • 4 g |

Max. operating pressure: 7.0 MPa



[Note] Appearance and dimensions may differ slightly depending on material and nozzle code.

| Spray angle code | Spray capacity code | Spray angle (°) | | | | Spray capacity (L/hr) | | | | | | | | | | Mean drop. dia. (µm) | Free pass. dia. (mm) | Strainer mesh size | Nozzle body color |
|------------------|---------------------|-----------------|-------|---------|-------|-----------------------|---------|-------|---------|-------|---------|-------|-------|-------|----|----------------------|----------------------|--------------------|-------------------|
| | | 0.5 MPa | 1 MPa | 1.3 MPa | 2 MPa | 0.5 MPa | 0.8 MPa | 1 MPa | 1.3 MPa | 2 MPa | 3.5 MPa | 5 MPa | 6 MPa | 7 MPa | | | | | |
| 80 | 063 | 50 | 80 | 80 | 80 | 1.13 | 1.72 | 2.00 | 2.35 | 2.99 | 3.99 | 4.75 | 5.19 | 5.58 | 35 | 0.2 | 200 | Red | |
| | 125 | 60 | 80 | 80 | 80 | 2.29 | 3.51 | 4.10 | 4.84 | 6.19 | 8.31 | 9.94 | 10.9 | 11.7 | ? | 0.3 | 100 | Green | |
| | 22 | 65 | 80 | 80 | 80 | 3.99 | 6.18 | 7.25 | 8.59 | 11.1 | 15.0 | 18.0 | 19.7 | 21.3 | 65 | 0.4 | 100 | Purple | |

- [Note]
1. The spray capacity of the KBN series is listed in liters per hour (L/hr), not in L/min.
 2. A check valve which closes and opens at 0.3 MPa is built into all nozzles.
 3. KBN series nozzles are not guaranteed for spray angle and spray capacity because of the check valve.

HOW TO ORDER

To inquire about or order a specific nozzle please refer to this coding system.

Example: 1/4M KBN 80 125 TPACVW

| | | | | |
|------------------|------------|------------------|---------------------|---|
| 1/4M | KBN | 80 | 125 | TPACVW |
| Pipe conn. size* | | Spray angle code | Spray capacity code | Material (CV indicates check valve, W indicates strainer) |
| ■ 1/4M | | | ■ 063 | |
| ■ 1/4M (NPT) | | | ■ 125 | |
| | | | ■ 22 | |

*"M" indicates male thread ("R" of the ISO standard), e.g. 1/4M = R1/4 (BSPT 1/4 male).
In case NPT 1/4 male thread is required, please specify the pipe connection size as 1/4M (NPT).