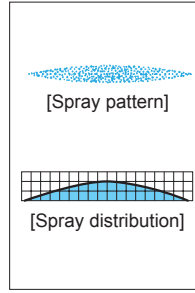
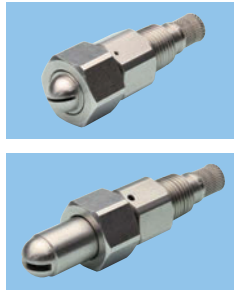


Foaming Spray Nozzles

Made-to-Order
AWVV

Flat Spray



- Flat fan spray nozzle for spraying detergent.
- Generates large amounts of foam due to the air being suctioned in by the liquid pressure.
- The long-lasting foam helps to increase the cleaning performance.
- The wide spray angle covers a larger cleaning area.
- A compressor is not required.

Structure	<ul style="list-style-type: none"> • Made of metal. • Comprises a nozzle tip, cap, adaptor, and strainer.
Material	<ul style="list-style-type: none"> • S303
Weight	<ul style="list-style-type: none"> • Spray capacity code 10: 60 g • Spray capacity code 30 and 50: 65 g

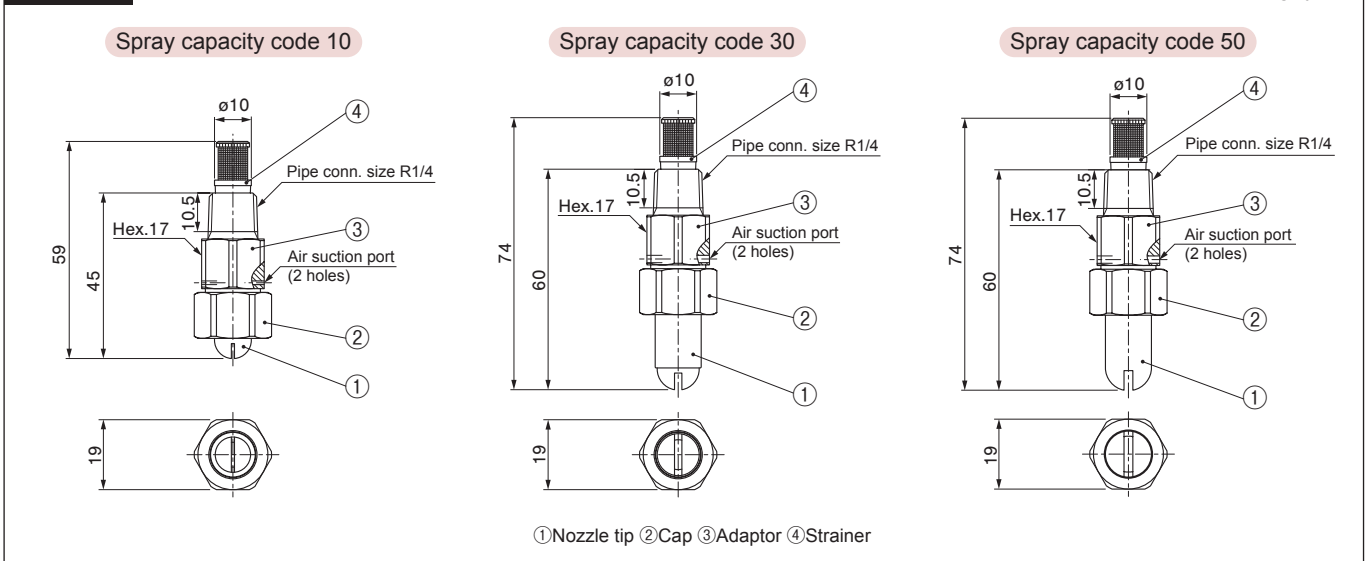
[STANDARD PRESSURE]
0.3 MPa

[APPLICATIONS]

- Cleaning: conveyors, outer surface of vehicles, factory floors/walls

DRAWING

Unit: mm



[Note] Appearance and dimensions may differ slightly depending on material and nozzle code.

Spray angle code	Spray capacity code	Liquid	Spray angle ¹ (°)			Spray capacity ² (L/min)						Strainer mesh size
			0.1 MPa	0.3 MPa	0.6 MPa	0.1 MPa	0.2 MPa	0.3 MPa	0.4 MPa	0.5 MPa	0.6 MPa	
100	10	Water	50	105	116	0.58	0.82	1.00	1.15	1.29	1.41	50
		Detergent	55	100	116	0.58	0.82	1.00	1.15	1.29	1.41	50
	30	Water	75	105	113	1.73	2.45	3.00	3.46	3.87	4.24	50
		Detergent	82	100	113	1.73	2.45	3.00	3.46	3.87	4.24	50
80	10	Water	40	80	100	0.58	0.82	1.00	1.15	1.29	1.41	50
		Detergent	—	80	100	0.58	0.82	1.00	1.15	1.29	1.41	50
	30	Water	57	80	95	1.73	2.45	3.00	3.46	3.87	4.24	50
		Detergent	57	80	95	1.73	2.45	3.00	3.46	3.87	4.24	50
50	Water	57	80	95	2.89	4.08	5.00	5.77	6.45	7.07	50	
	Detergent	57	80	95	2.89	4.08	5.00	5.77	6.45	7.07	50	

*1) The spray angle for detergent is for reference only, spraying commercial dishwasher detergent that is diluted by a factor of 100.

"—" indicates a value outside of the operating range.

*2) Spray liquid is tap water. The performance guarantee does not apply when spraying detergent.

HOW TO ORDER

To inquire about or order a specific nozzle please refer to this coding system.

Example: 1/4M AWWV 10010 S303W

1/4M	AWV	100	10	S303	W
Pipe conn. size ³		Spray angle code	Spray capacity code	Material	Strainer
		<ul style="list-style-type: none"> ■ 100 ■ 80 	<ul style="list-style-type: none"> ■ 10 ■ 30 ■ 50 		

*3) "M" indicates male thread ("R" of the ISO standard), e.g. 1/4M = R1/4.

This nozzle series is made-to-order.