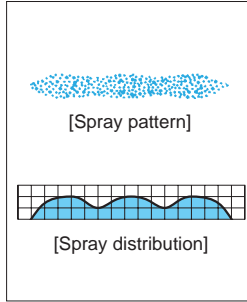
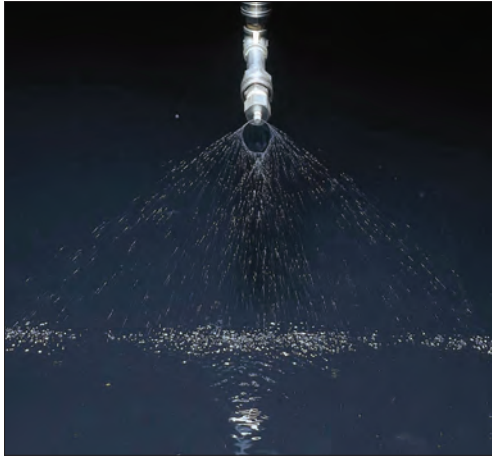


# Wide-angle Flat Spray Nozzles for Ultra-low Pressure Spraying

LYYP

Flat Spray



- Wide-angle flat spray nozzle that can maintain a fan-shaped spray pattern at ultra-low pressure, even as low as 0.015 MPa.
- The low spray impact and volume, create a bubble-free spray surface.
- Compared to other flat spray nozzles with the same spray flow rate, the free passage diameter is large and clogging is less likely to occur.
- Oil-free product.

**[STANDARD PRESSURE]**  
0.015 MPa

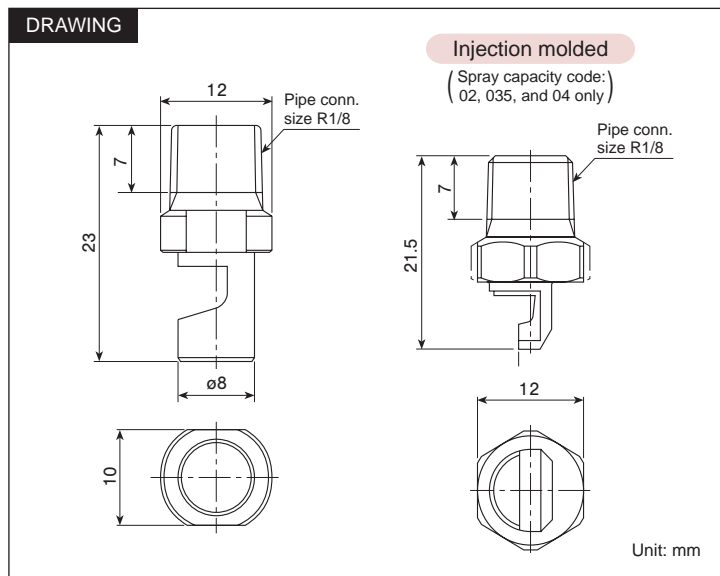
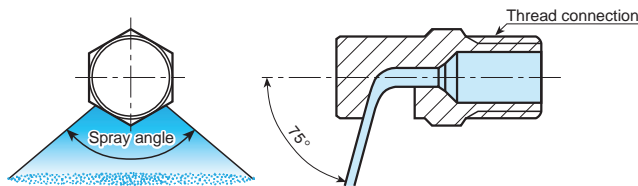
**[APPLICATIONS]**

Spraying developing solution in semi-conductor manufacturing processes, ultra-low volume spray for pharmaceutical manufacturing processes, chemical spraying to surface treated steel plates

Structure	• One-piece structure made of plastic.
Material	• PVC SPECIAL ORDER MATERIAL: S316 or PCTFE
Weight	• 1.5 g

**Spray Angle and Elevation Angle**

Wide-angle flat spray nozzles spray at an angle of 75° to the axis of the nozzle.  
For installation, the elevation (inclination) angle of 75° must be taken into consideration.



[Note] Appearance and dimensions may differ slightly depending on material and nozzle code.

Spray capacity code	LYYP	LYYP (Injection molded)	Spray angle (°)			Spray capacity (L/min)							Mean droplet diameter (μm)	Free passage diameter (mm)
			0.01 MPa	0.015 MPa	0.02 MPa	0.008 MPa	0.01 MPa	0.012 MPa	0.015 MPa	0.02 MPa	0.03 MPa	0.04 MPa		
02		○	—	70	77	—	—	0.18	0.20	0.23	0.28	0.33	850	0.9
025	○		67	80	87	—	0.20	0.22	0.25	0.29	0.35	0.41		
03	○		77	90	97	0.22	0.24	0.27	0.30	0.35	0.42	0.49	}	1.0
035		○	87	100	107	0.26	0.29	0.31	0.35	0.40	0.49	0.57		
04		○	88	100	108	0.29	0.33	0.36	0.40	0.46	0.57	0.65	}	1.3
05	○		97	110	117	0.37	0.41	0.45	0.50	0.58	0.71	0.82		
06	○		107	120	127	0.44	0.49	0.54	0.60	0.69	0.85	0.98	}	1.4
07	○		107	120	127	0.51	0.57	0.63	0.70	0.81	0.99	1.14		
08	○		108	120	128	0.58	0.65	0.72	0.80	0.92	1.13	1.31	}	1.7
10	○		108	120	128	0.73	0.82	0.89	1.00	1.15	1.41	1.63		

[Note] The LYYP series nozzles are guaranteed for a spray angle within -5° to +10° of the rated angle and for a spray capacity within +/-10% of the rated capacity under standard pressure.

**HOW TO ORDER**

To inquire about or order a specific nozzle please refer to this coding system.

**LYYP**

Example: 1/8M LYYP 025 PVC

1/8M	LYYP	025	PVC
Pipe conn. size <sup>1</sup>		Spray capacity code	Material
		025	
		}	
		10	

**LYYP (injection molded)**

Example: 1/8M LYYP 02 PVC-IN

1/8M	LYYP	02	PVC-IN
Pipe conn. size <sup>1</sup>		Spray capacity code	Material
		02	
		035 <sup>2</sup>	
		04	

\*2) With a spray capacity code of 035, the nozzle description is 1/8M LYYP 035 PVC (injection-molded).

\*1) "M" indicates male thread ("R" of the ISO standard), e.g. 1/8M = R1/8.

**Spray Distribution of LYYP Series Wide-angle Flat Spray Ultra-low Pressure Nozzles**

The variation in spray distribution is minimal despite changes in the spray height and spray pressure.

■ Nozzle: 1/8MLYYP07PVC

