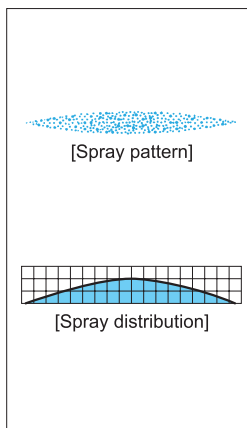


# Flat Spray Nozzles with ON/OFF Control

# SO-V

Flat Spray



### [Features]

- Flat spray pattern with a mountain-shaped spray distribution having gradually tapered edges.
- Prevents dripping after spraying stops.
- Quick response ON/OFF spray.
- Spray ON/OFF can be regulated by pilot air ON/OFF.

### [Standard pressure]

0.3 MPa

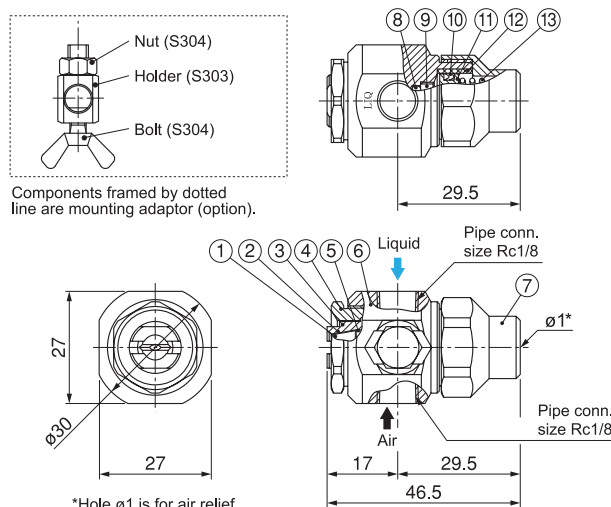
### [Applications]

Coating: Release agent, lubricant, food additive (seasoning)  
Moisture control: Paper, food

## SO-V series

SO-V series (with ceramic orifice inserted)	
Structure	<ul style="list-style-type: none"> <li>• Spray ON/OFF can be regulated by switching the pilot air ON/OFF. The pilot air activates an internal piston to regulate the spray.</li> </ul>
Material	<ul style="list-style-type: none"> <li>• Nozzle orifice: ceramic</li> <li>• Metal parts: S303</li> </ul>
Mass	<ul style="list-style-type: none"> <li>• 150 g</li> </ul>

[Note] Appearance and dimensions may differ slightly depending on materials and nozzle codes.



### Mounting adaptor (Optional)

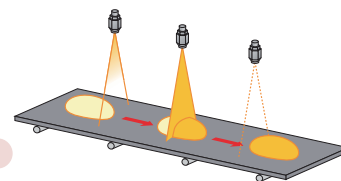
A mounting adaptor is available for fixing SO-V series nozzle onto a pole to spray in the desired direction. Please specify "(with ø10 mounting adaptor)" at the end of the product code to order.

- ①Ceramic orifice ②Adhesive: Araldite® ③Tip retainer ④Cap  
⑤Packing (PTFE) ⑥Adaptor ⑦Spring cap ⑧O-ring (FKM) ⑨Lock nut  
⑩Y-packing (NBR) ⑪Piston ⑫Sleeve (UHMWPE) ⑬Spring (S304)

Spray capacity code	Spray angle code								Spray capacity (ℓ/min)
	0.3 MPa								
	115	90	80	65	50	40	25	15	
02									0.20
03	○	○	○	○	○	○	○	○	0.30
04	○	○	○	○	○	○	○	○	0.40
05	○	○	○	○	○	○	○	○	0.50
07	○	○	○	○	○	○	○	○	0.70
10	○	○	○	○	○	○	○	○	1.00
15	○	○	○	○	○	○	○	○	1.50
20	○	○	○	○	○	○	○	○	2.00

For the spray angle and spray capacity at pressures other than 0.3 MPa, please see the chart of V series nozzles on pages 13–14.

### Example of use



Seasoning (coating)

### Operation time chart

Pilot air	OFF	ON	OFF	ON	OFF
Liquid	Stop	Spray	Stop	Spray	Stop

### How to order

Please inquire or order for a specific nozzle using this coding system.

⟨Example⟩ 1/8 SO-V 11503 S303 (with ø10 mounting adaptor)

1/8 SO-V 115 03 S303 (with ø10 mounting adaptor)

Spray angle code	Spray capacity code	(Option)
115	02	
}	}	
15	20	

### ALSO AVAILABLE!

Solid Stream Jet with ON/OFF Control

## SO-CM series

See p.107 of this catalog.

### CAUTIONS

- Supply liquid pressure at 0.5 MPa or less.
- Supply pilot air pressure at between 0.2 and 0.5 MPa.
- Pilot air ON/OFF regulates spray ON/OFF.
- For better shut off and preventing dripping, purge the air inside/between the solenoid valve and SO-V series nozzle at OFF time, using a 3-way solenoid valve.