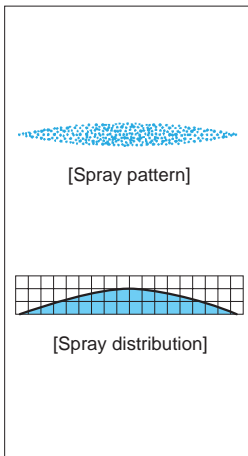
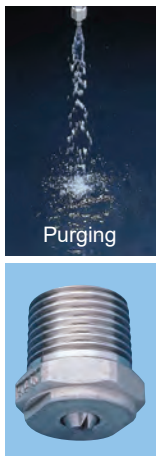


# Self-cleaning Flat Spray Nozzles

MOMOJet®

Flat Spray



- When the liquid pressure is reduced to 0.03 MPa or lower, the nozzle tip retracts and purges any foreign particles that clog the nozzle. By increasing the water pressure to 0.2 MPa or higher, normal spraying resumes.

- The straight-through orifice makes this nozzle suitable for multi-nozzle set-up.

**[STANDARD PRESSURE]**

0.3 MPa

**[APPLICATIONS]**

Cleaning: Papermaking (wire, felt parts and rollers), steel plates, PCB

Cooling: Steel plates

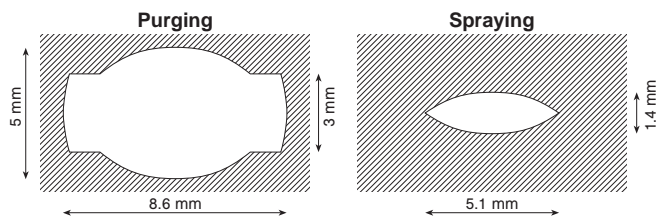
Foam breaking: Waste water treatment

Others: Applications where recirculated water is being used

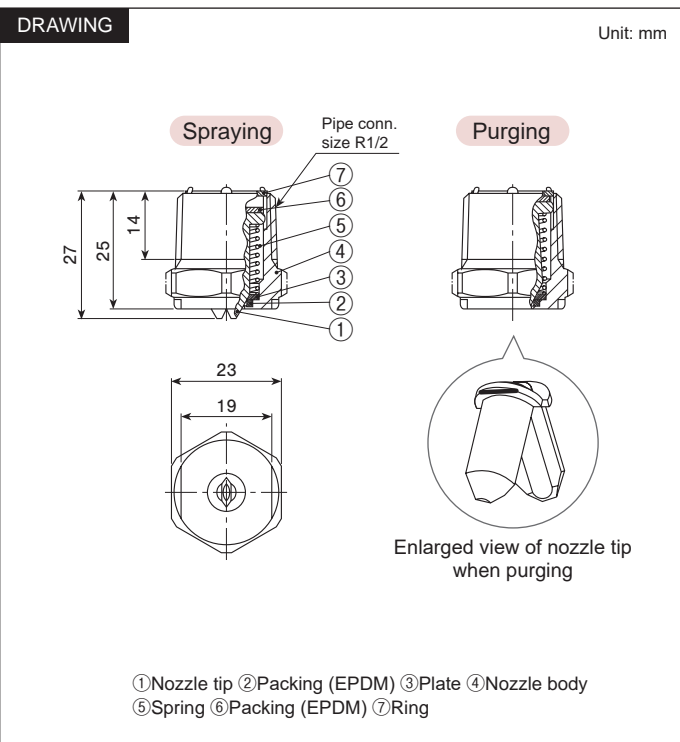
Structure	<ul style="list-style-type: none"> <li>• By changing the liquid pressure, a built-in spring moves the split nozzle tip up and down and opens the orifice for purging.</li> <li>• Nozzle tips are made by metal injection molding.</li> </ul>
Material	<ul style="list-style-type: none"> <li>• S303</li> </ul>
Weight	<ul style="list-style-type: none"> <li>• 45 g</li> </ul>

**Precautions for Use of MOMOJet®**

When purging, the nozzle tip opens wide and the spray capacity increases. This must be taken into consideration when selecting a pump.



[Note] Appearance and dimensions may differ slightly depending on material and nozzle code.



Spray capacity code	Spray angle (°)		Spray capacity (L/min)							Mean droplet diameter (μm)	Free passage diameter	
	0.3 MPa	0.7 MPa	0.2 MPa	0.3 MPa	0.5 MPa	0.7 MPa	1 MPa	1.5 MPa	2 MPa		Spraying (mm)	Purging (mm)
20	80	86	1.63	2.00	2.58	3.06	3.65	4.47	5.16	300	0.8	3.0
40	80	83	3.27	4.00	5.16	6.11	7.30	8.94	10.3	?	1.2	3.3
60	80	83	4.90	6.00	7.75	9.17	11.0	13.4	15.5	490	1.3	3.5

**Attention:**

1. To start spraying, a flow rate of about 9 L/min at 0.02–0.03 MPa is required for all models. Make sure to select an appropriate pump.
2. MOMOJet® is designed to start spraying when the pressure is greater than 0.1 MPa. Use MOMOJet® at a pressure of 0.2 MPa or higher.
3. Since MOMOJet® series nozzles have moving nozzle tips, the spray capacity is only guaranteed within +/-10% and the spray angle within +/-10° at standard pressure.

**HOW TO ORDER**

To inquire about or order a specific nozzle please refer to this coding system.

Example: 1/2 MOMO 8020 S303

1/2\* MOMO 80 20 S303

Spray angle code	Spray capacity code	Material
■ 20	■ 20	
■ 40	■ 40	
■ 60	■ 60	

\*Indicates R1/2, nozzle thread size.

**ALSO AVAILABLE!**

Self-cleaning  
Solid Stream Jet

MOMOJet® "C"  
SERIES

See page 96 of this catalog.