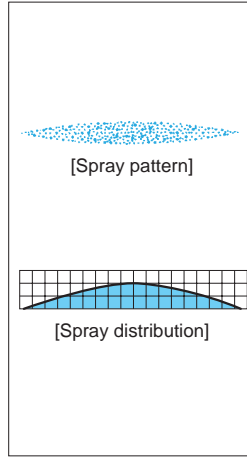


One-piece Structure Standard Flat Spray Nozzles

UVVP

Flat Spray



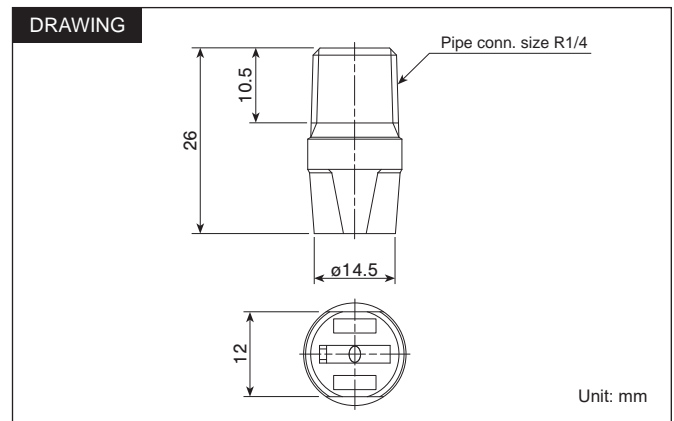
- Flat spray pattern with a mountain-shaped spray distribution and gradually tapered edges.
- Made of ultra-high-molecular-weight polyethylene, the UVVP series features high wear resistance and maintains stable performance as polishing nozzles over prolonged use.

[STANDARD PRESSURE]
0.3 MPa

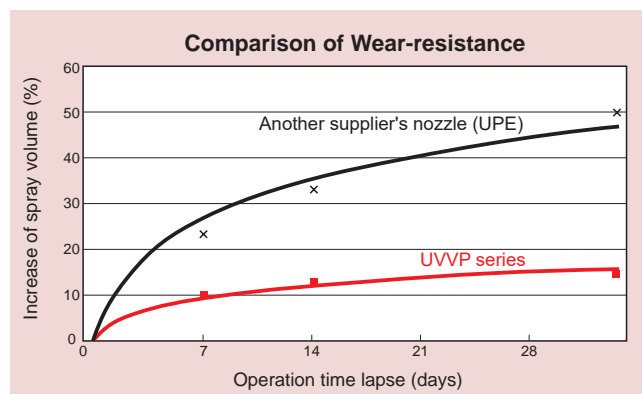
[APPLICATIONS]
Polishing: Liquid honing, through-hole
Others: Cleaning, spraying, cooling

Structure	• Simple one-piece structure.
Material	• Ultra-high-molecular-weight polyethylene (UPE)
Weight	• 2.5 g

- [Note]
- Appearance and dimensions may differ slightly depending on material and nozzle code.
 - The flat spray spread direction is parallel to the surface milling (groves).



Spray capacity code	Spray angle (°)			Spray capacity (L/min)						Mean droplet diameter (μm)	Free passage diameter (mm)
	0.15 MPa	0.3 MPa	0.5 MPa	0.05 MPa	0.1 MPa	0.15 MPa	0.2 MPa	0.3 MPa	0.5 MPa		
40	50	65	70	1.63	2.31	2.83	3.27	4.00	5.16	300 360	1.3
50	51	65	70	2.04	2.89	3.54	4.08	5.00	6.46		1.5



Shown on the right is the comparison of test results between the UVVP series flat spray nozzle and a UPE nozzle made by another manufacturer.

HOW TO ORDER

To inquire about or order a specific nozzle please refer to this coding system.

Example: 1/4M UVVP 6540 UPE

1/4M	UVVP	65	40	UPE
Pipe conn. size*		Spray angle code	Spray capacity code	Material
			■ 40 ■ 50	

*"M" indicates male thread ("R" of the ISO standard), e.g. 1/4M = R1/4.